

Registration PH-VSN

Type: Cessna

F152II

Serial No F15201714

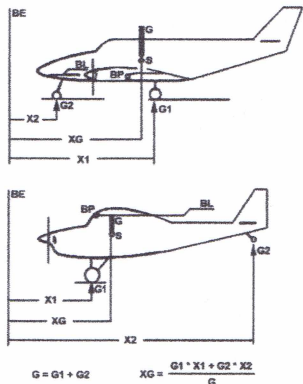
Workorder 3-6-2014.PH-VSN

Data according to TCDS or flight manual

Reason for weighing W&B Due

Datum point BP _____
Datum Level BE Fire Wall
Datum line horizon BL Center Bolt at Station +2,40 and Station +3,38 On the LH fuselage

Airworthiness Group Dimension	max Weight	Balance at Flight weight		at Flight weight
		X front	X rear	
Normal Category (N)	758 Kg	0,829 m	0,927 m	758 Kg
	Kg	m	m	Kg
Utility Category (U)	612 Kg	0,787 m	0,927 m	612 Kg
	Kg	m	m	Kg



Equipmentlist dated _____

Weight and Balance at empty weight

Floor plan dated _____

Weighing	Seating Dim.	Gross-Weight	Net-Weight	Net-Weight	Lever	Moments
LH	G1l	178		178	1,20	213,6
RH	G1r	185		185	1,20	222
front/rear	G2	156,5		156,5	-0,28	-43,82

Subtractions	useable fuel	Density	Dim.			
Fuselage tank 1						
Fuselage tank 2						
Wing tank 1						
Wing tank 2						
Wing tank 3						
Wing tank 4						

Sum B			
Weighing (Sum A)	519,5		391,78
Subtractions (Sum B)			
Empty weight	519,5Kg	0,75	391,78

